

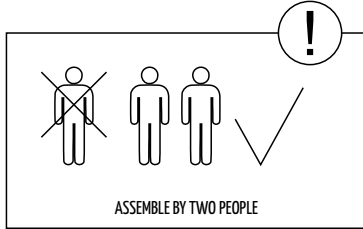


LuneRocker

eco friendly product

MANUFACTURER: Lunekids Stargardzka 7-9 54-156 Wrocław			lunekids.com		
MDF emission level E1 (EN ISO 12460-5) (HYGIENIC CERTIFICATE)	Paint PN-EN-71-3 (Safety of toys)	EU standard EN 316; EN 622-5			
BASIC INFORMATION: should be used under the supervision of an adult folding and possible carrying should be done by an adult internal usage only		TECHNICAL AND EXPLOATATION DATA: material (depending on version): wood, plywood, melaminated mdf maximum load is 50kg designed for children standing alone, 12m+ rocker should be set up on a flat, stable surface			

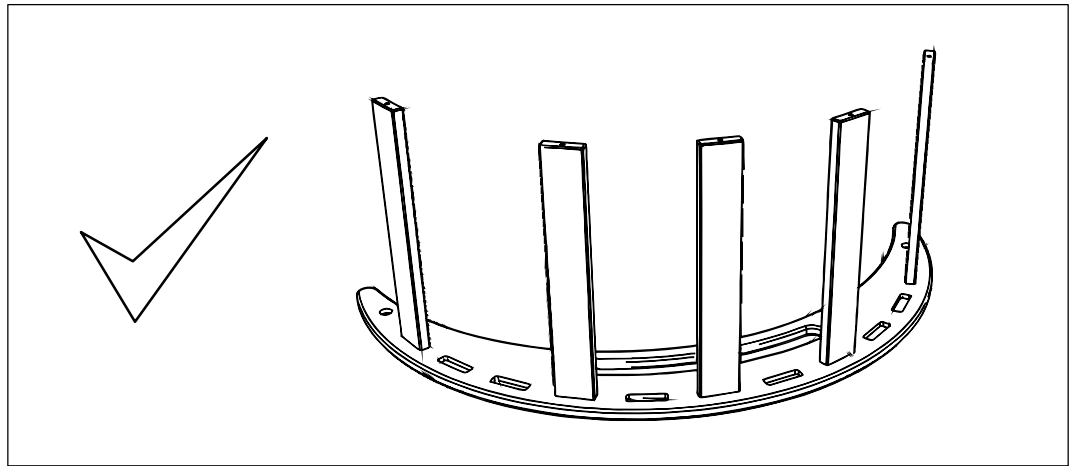
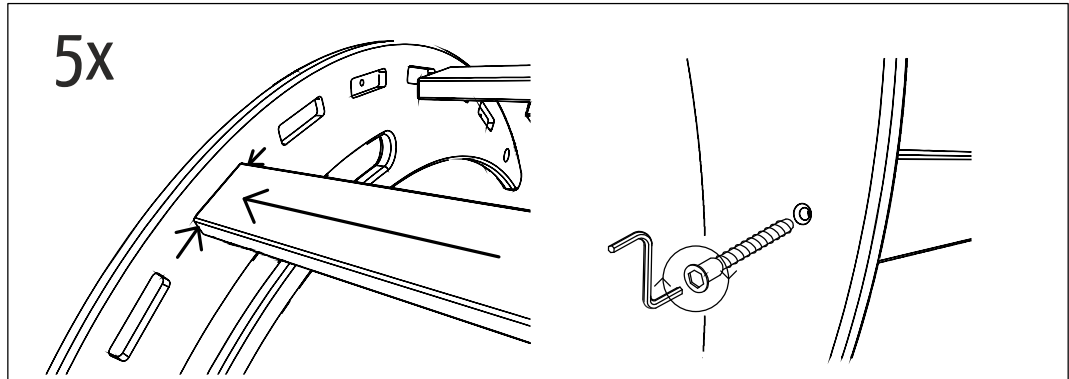
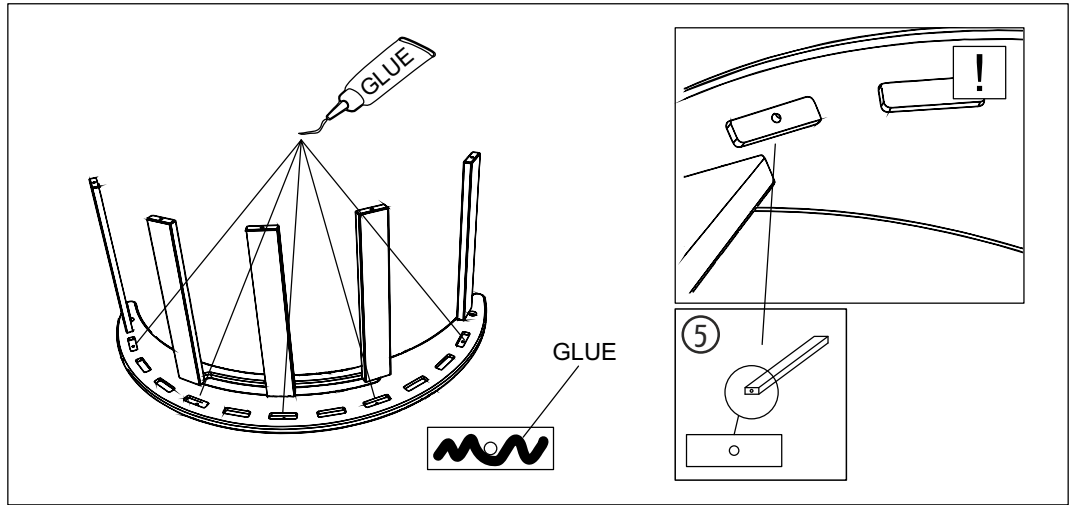
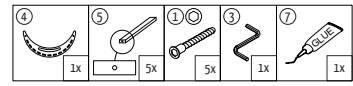
REMEMBER:



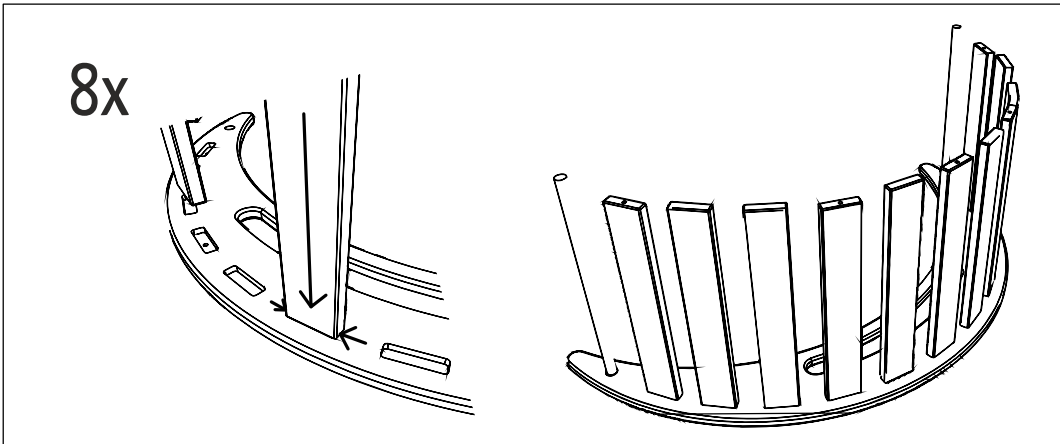
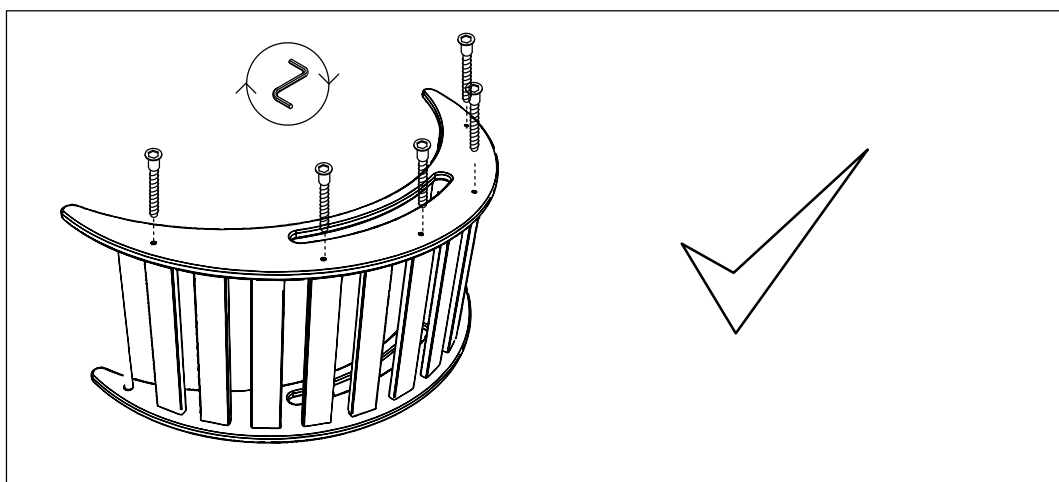
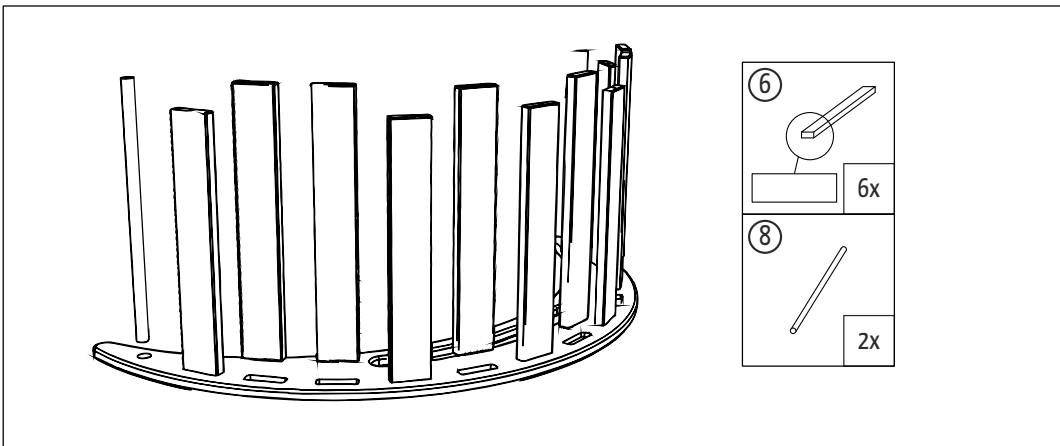
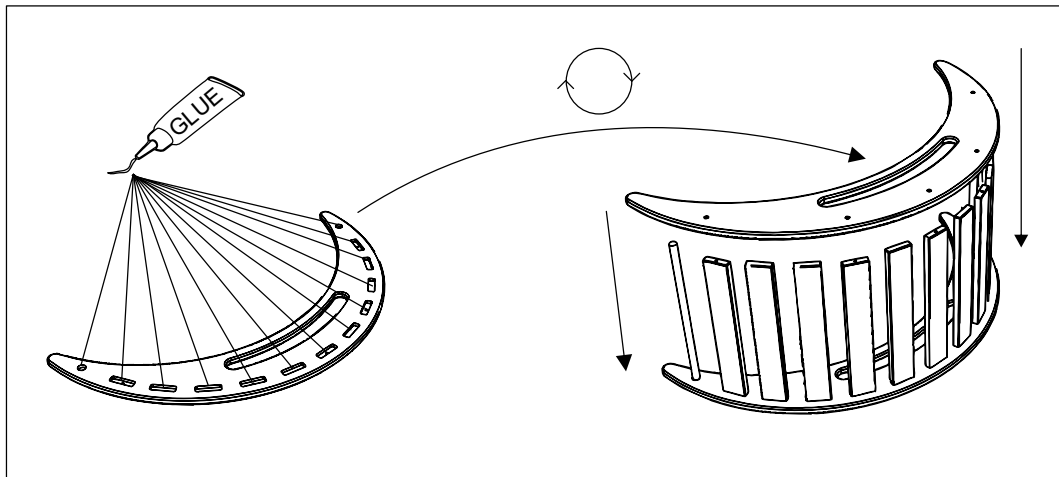
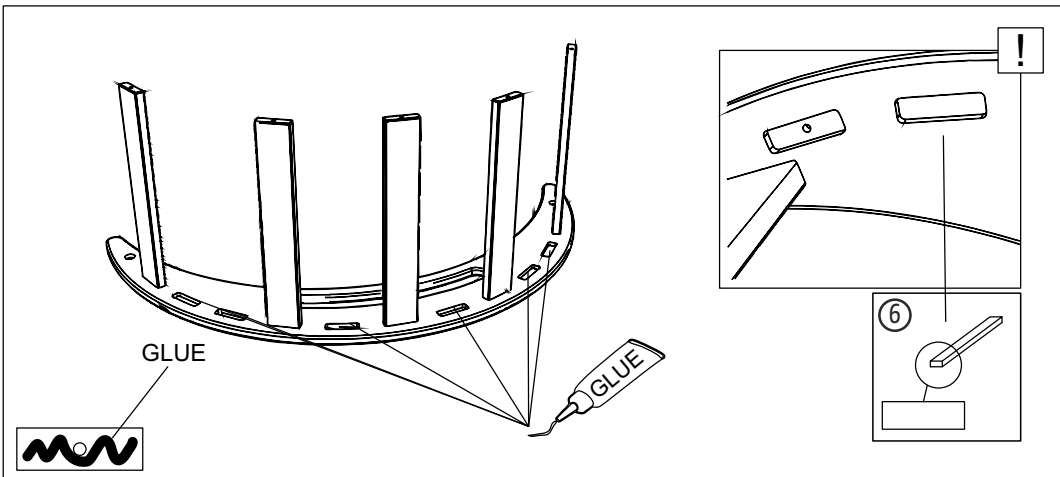
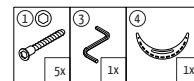
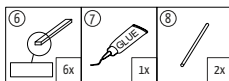
PACKAGE CONTENTS
basic equipment

 10x	 1x	 2x	 5x	 6x
 1x	 2x			

1 LuneRocker



1 LuneRocker



50% - 1h



100% - 24h